

SFA

272

03.12
IND1



IMPORTANT

**DO NOT RETURN ANY MERCHANDISE TO THE VENDOR
NE PAS RETOURNER DE MARCHANDISE AU VENDEUR**

For Customer Service, Returns or Technical Questions, please call Saniflo's technical support toll-free at
800-571-8191 (USA) or 800-363-5874 (CDN).

Pour le service client, les retours ou toute question technique, merci d'appeler le service technique de Saniflo au
numéro suivant : 800-571-8191 (USA) ou 800-877-8538 (CDN).

The user should retain these instructions for future reference • A lire attentivement et à conserver à titre d'information

**This product must be installed in strict accordance with local plumbing codes.
Product should be installed by a licensed plumber.
Le produit doit être installé dans le respect des règlements sanitaires locaux.
Le produit doit être installé par un plombier qualifié.**

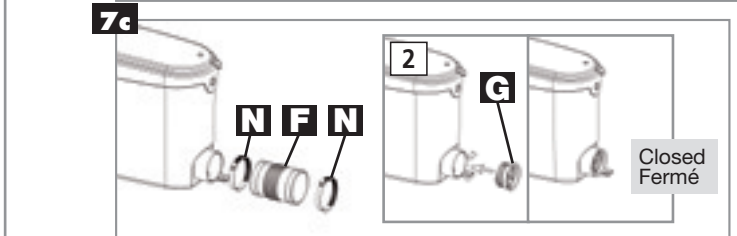
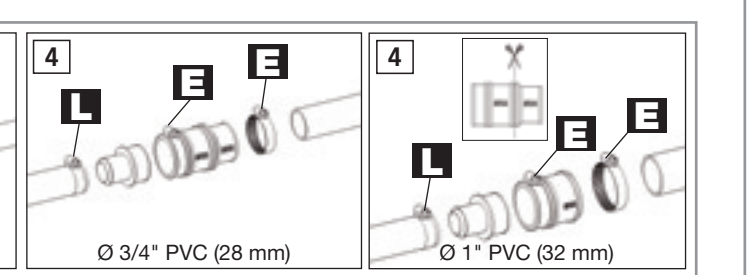
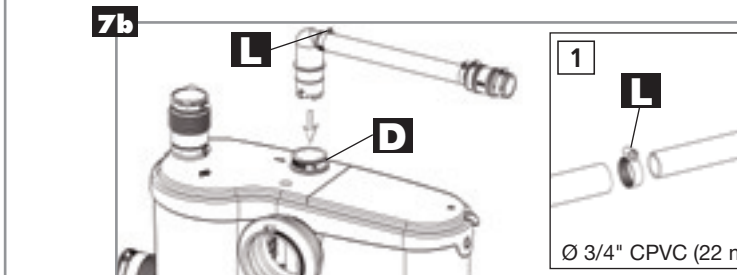
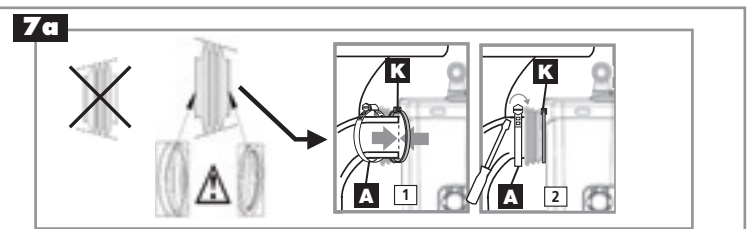
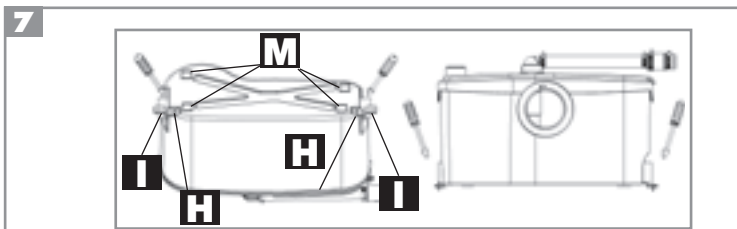
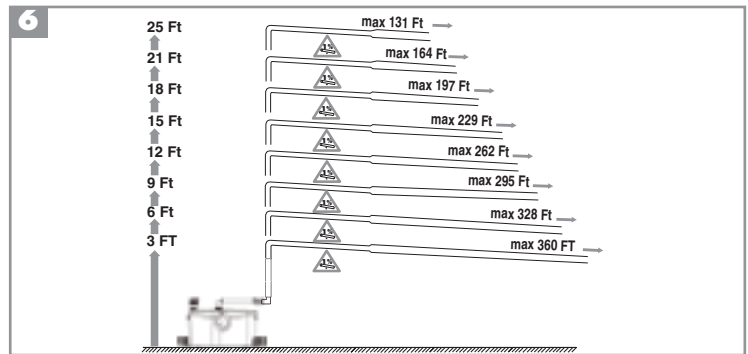
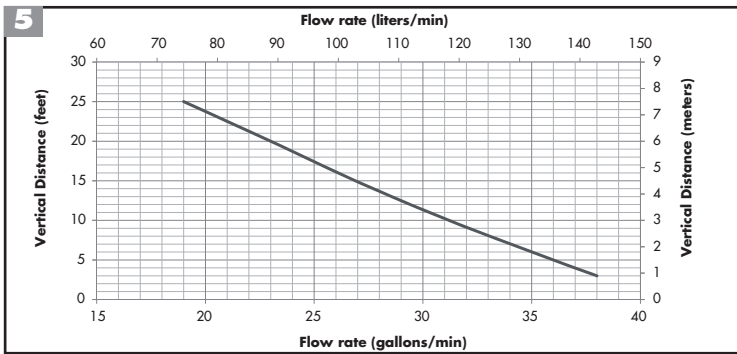
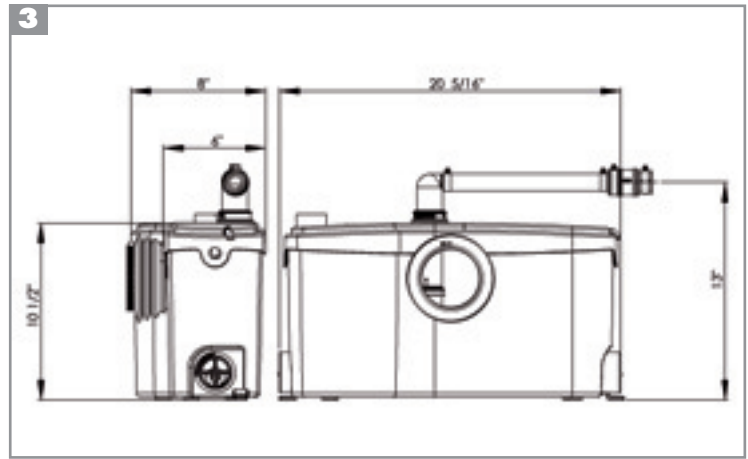
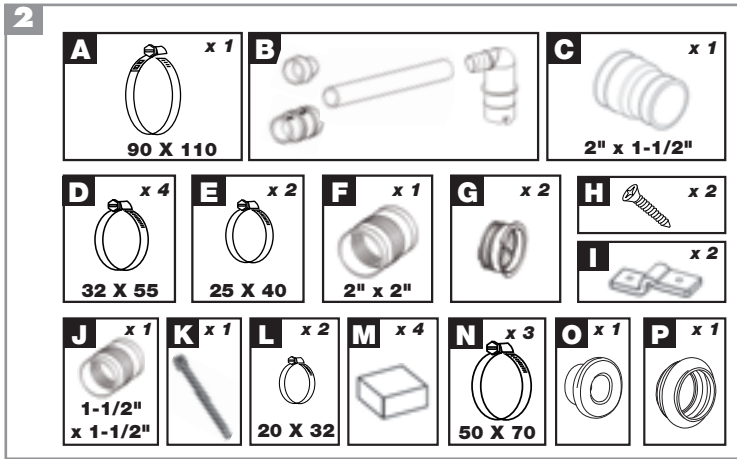
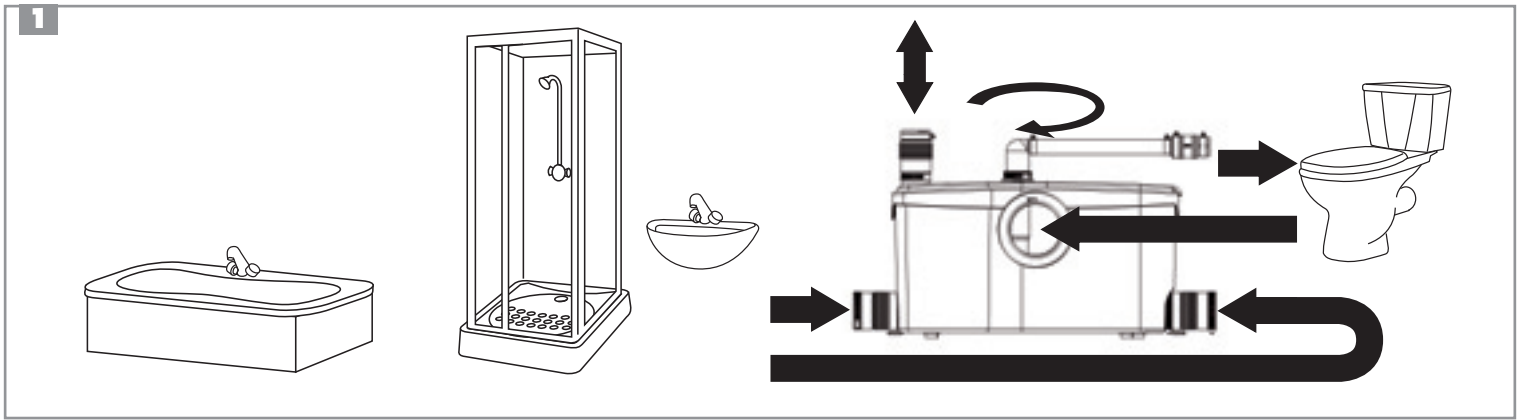


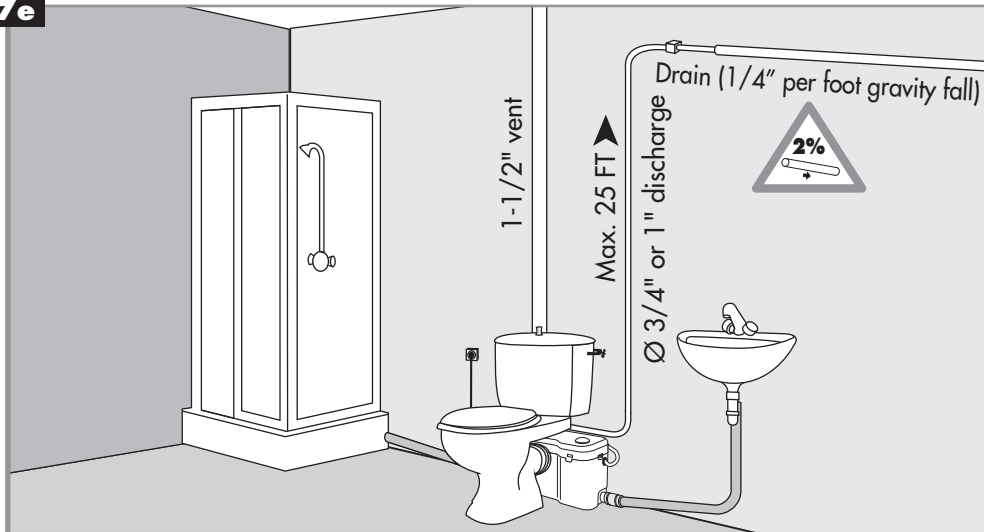
226615



**INSTALLATION AND MAINTENANCE INSTRUCTIONS
INSTRUCTIONS D'INSTALLATION ET D'ENTRETIEN**

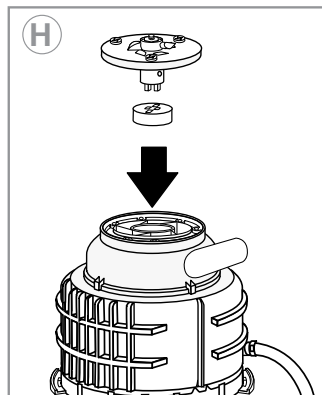
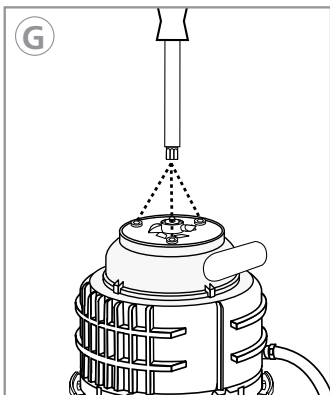
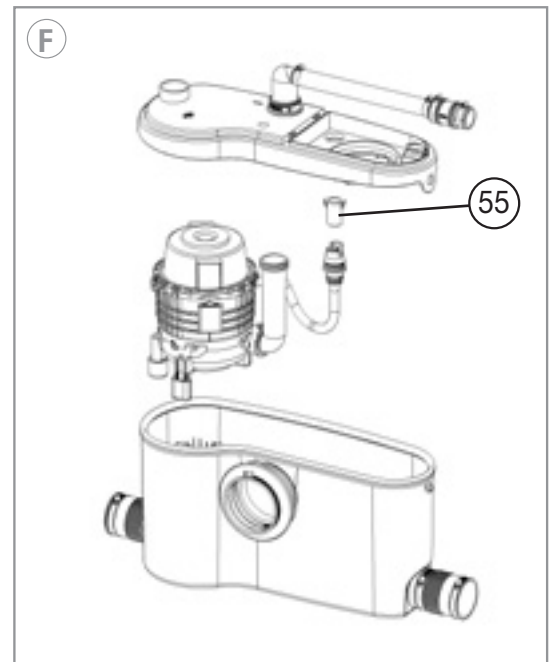
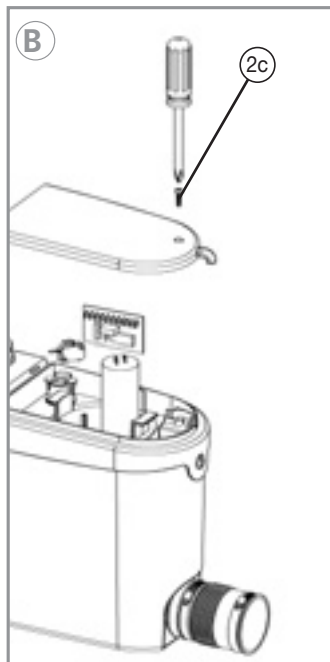
SANI BEST Pro®





SANIBEST Pro®
SFA SANIFLO INC

120 V - 60 HZ - 9A - 1 HP - IP44 - ⚡



Fully illustrated step by step instructions are downloadable on www.saniflo.com or www.saniflo.ca

1 DESCRIPTION

This grinder/pump is manufactured in a factory which is quality certified to ISO 9001 (2000) accredited by AFAQ. To benefit from the advantages provided by this new generation system, it is important to comply with the installation instructions.


The grinder/pump unit is a residential and commercial pumping system for toilet and bathroom fixtures. As shown in fig n°1, it can simultaneously receive wastewater from sanitary fixtures such as a sink, shower, bathtub but only one toilet per unit. It is also powerful enough to handle wastewater from a washing machine through an indirect connection (via utility sink).

The **SANIBEST Pro®** is designed for the disposal of human waste, toilet paper and water. It is also capable of handling occasional sanitary articles flushed down the toilet. They are not intended to be used for the disposal of kitchen waste or directly from pump appliances such as a dishwasher. Installed and used correctly, the **SANIBEST Pro®** will give consistent and reliable service.

Please note the following warning signs:

«  » Possible danger to personnel,

«  » Warning of possible electrical hazard,

«  » Instructions for use only by qualified professionals,

«**WARNING**» This is a general warning that failure to follow instructions could result in poor functioning of the unit.

2 LIST OF ACCESSORIES

3 DIMENSIONS

4 TECHNICAL DATA

Application	1 toilet + shower/bathtub, sink
Vertical Pumping	Max. 25 Ft
Voltage	110-120 V
Frequency	60 Hz
Amperage	Max. 9 Amps
Motor	1 HP
Temperature	Max. 104° F
Degree of protection	IP44
Net Weight	26 lbs

WARNING: Only installations conforming to the above specifications are acceptable.

5 PERFORMANCE CURVE

6 VERTICAL/HORIZONTAL PUMPING COMBINATIONS

7 INSTALLATION

The grinding system must discharge into a minimum 3/4-inch sanitary drainage pipe. The system will pump up to a maximum of 25 Ft vertically and then across with a 1/4" per foot gravity fall (minimum) constantly throughout the horizontal run to the point of discharge. If you require a vertical lift, it should

precede any horizontal run and should commence as near as possible to the discharge elbow (no more than 18 inches away). Once you have started the horizontal run, you cannot change directions in an upward vertical manner.

The unit has fastenings on the bottom of the casing. This is meant to secure the pump to the floor and prevent it from turning.

TANK AND WATER SUPPLY CONNECTION

The tank comes with the fill and flush valve already assembled. The hardware kit to assembled the tank to the bowl comes included with the system. Ensure that all screws, nuts, etc are tightened and well secured. Connect the water supply hose to the bottom connection of the fill valve.

7a CONNECTION TO THE TOILET

- 1 - Stretch the flexible sleeve over the entry connection of the casing
- 2 - Secure this connection with the cable tie supplied
- 3 - Push the metal clamp around the flexible sleeve and then pull the sleeve over the exit spigot of the bowl
- 4 - Position the metal clamp at the edge of the flexible sleeve and secure this by tighten the metal clamp with a screwdriver

7b CONNECTION OF THE DISCHARGE PIPE

These systems are provided with a discharge elbow which has a built-in check valve, a flexible discharge hose, a plastic coupling and a step-down rubber connection. Follow these steps to connect to your discharge pipe.

- 1 - Insert the larger end of the plastic discharge elbow into the rubber discharge hose coming out from the top of the pump.
- 2 - Rotate the discharge to any direction and secure the base of the elbow with a clamp.
- 3 - Connect the flexible hose to the smaller end of the discharge elbow and secure with a clamp.

For 3/4" CPVC (22 mm)

- 4 - Insert the discharge pipe inside the flexible hose and secure with a clamp.

For 3/4" PVC (28 mm)

- 4 - Insert the smaller end of the plastic coupling inside the flexible hose; secure with clamp.
- 5 - Connect the step-down rubber connection to the other end of the plastic coupling; secure with a clamp.
- 6 - Insert the discharge pipe inside the step-down rubber connection and secure with clamp.

For 1" PVC (32 mm)

- 4 - Insert the smaller end of the plastic coupling inside the flexible hose; secure with clamp.
- 5 - Connect the step-down rubber connection to the other end of the plastic coupling; secure with a clamp.
- 6 - Cut off the end of the step-down rubber connection to fit the 1" pipe; secure with clamp.

NOTE: Use only 3/4" or 1" pipe for the discharge.

Install a ball valve in the discharge line in order to facilitate the removal of the unit.

If you want for the unit to pump vertically and horizontally, you may calculate that 3 Ft of vertical lift is equivalent to 30 Ft of horizontal run. Note that all horizontal runs require a 1/4" per foot gravity fall.

Each bend or change in direction causes minor losses which must be deducted from the discharge performance (ie. reduce discharge height by 3 Ft for each 90 degree turn). Use long sweeping 90 degree elbows or two 45 degree elbows back-to-back to create the 90 degree turn. **Do not use 90 degree elbows.**

The connection to the soil stack or sewer pipe should be made with an approved wye fitting. If you have any doubts

about this section of the installation, please have a plumber or trade professional install this for you.

Note: If the end of the discharge pipe is lower than the base of the pump, siphonage can occur. In order to avoid siphoning on the discharge line, an anti-siphon valve should be installed at the highest point of the installation.

7c CONNECTION OF SANITARY FIXTURES

The unit is equipped with two additional 2" inlets, one on either side of the case. These inlets, which incorporate an internal check valve, are used to connect the drain pipe from other sanitary fixtures.

- 1 - To connect to the side inlets, use the rubber connector **F** or **G** and secure with clamps.
- 2 - If these inlets are not used, plug the unused inlet with the plug **C** provided after greasing the joint.

WARNING: Ensure that when connecting a shower or a bathtub to a **SANIBEST Pro**[®], the platform of the shower or tub would need to be raised a minimum of 8" from the floor. You may purchase any shower base or tub, as only the drain pipe connects to the pump. However, a 2" x 8" platform would need to be built as this would give enough space for a p-trap and slope toward the side inlets.

NOTE: The actual distance between the p-trap of the sanitary fixture and the macerating unit determines the necessary clearance to install the trap and the elevation required to ensure the minimum gravity flow of 1/4" per foot.

7d CONNECTION TO A VENT SYSTEM

The grinder/pump unit must be vented. It has two inlets on the top of the cover: a 1 1/2" port and a hole of smaller diameter.

The unit must be connected to a vent system according to the plumbing codes. Place the waste inlet **D** (provided) on the 1 1/2" port and clamp it down. Then, connect the vent pipe and secure with a clamp. Note that all fixtures connected to the system must also be vented.

WARNING: Do not use an air admittance valve or a mechanical spring loaded venting device as these devices are considered one-way valves. The air pressure inside and outside the macerating unit must be equal. A "cheater" vent will obstruct the airflow in one direction.

Note: The smaller diameter 1/2" hole must be plugged with a plastic cap supplied.

7e EXAMPLE OF SANIBEST Pro[®] INSTALLATION

7f CONNECTION TO ELECTRICAL SUPPLY

All wiring should be in accordance with the applicable electrical code in your territory. The macerating system requires a single-phase 120-volt, 15 Amp. supply. When installed in a bathroom, the receptacle should be 40 inches away (in straight line) from a shower or bathtub. Connect only to receptacle protected by a ground fault circuit interrupter (GFCI).

WARNING: risk of electric shock - this pump is supplied with a grounding conductor and grounding type attachment plug to reduce the risk of electrical shock. Be certain that it is connected properly grounded - type receptacle.

8 ACTIVATING THE UNIT

Once electrical and plumbing connections have been made, flush the toilet once. The motor should run from 5 to 10 seconds to clear the waste (depending on the length and height of the pipe run). If it runs for more than 30 seconds, check that the discharge pipe is not kinked or blocked or check that the non-return valve is correctly installed.

Flush the toilet checking that all seals, and connections are watertight. Check both the discharge pipework from the unit, and the waste pipes from sink or shower.

WARNING: There should be no dripping of water from the toilet tank or taps. If there is, this will cause the unit to activate repeatedly as it pumps the water away.

9 USAGE

The normal domain of application of SFA units only concerns the disposal of human waste, toilet paper and water. The **SANIBEST Pro**[®] is a product conceived for heavier use, suitable for residential or commercial applications, and can occasionally accept disposal of sanitary items such as tampons and sanitary pads.

CAUTIONARY NOTES:

Do not discharge any acids, alkaloids, solvents painting, paint strippers, food waste, plastic bags, metal such as nails, hairpins, wood, building materials, kitty litter or anything that could halt or damage or corrode the unit. Disregarding the above might damage the unit and shall void your warranty.

Do not hang bleach blocks or hydrochloride cleaners in the toilet tank. These solutions have been shown to deteriorate the plastic and neoprene components of the flush and fill valves, and may cause leaks. In the event of a power loss do not use the toilet or any other sanitary fixture connected to the unit since it will not work until the power is restored.

The toilet works as a conventional flushing toilet and needs no maintenance in normal use. However, there is nothing wrong with cleaning out the unit once a year. Do not use bleach (Be careful not to let water enter the electrical cord opening).

The unit starts automatically once the toilet is flushed or the bath, shower, hand basin, etc. discharge and cease operation once the contents have been pumped away.

Whenever the unit is not in use for long periods of time (vacation, power failure, maintenance, etc.) turn off the water supply to the tank and flush the unit to evacuate the water. No leakage into the bowl should ever be permitted from the tank.

In areas, which are prone to freezing, the total system must be properly winterized. This includes the draining of all pipes, the toilet tank and bowl and the tank. The system is simple to winterize. Pour a jug of plumbers' anti-freeze into the tank and flush the toilet. This will cause the unit to activate and all remaining water will be replaced by plumber's anti-freeze. No parts or labour are warranted when a breakdown occurs due to freezing.

Ensure that there are no faucets left open. Drops will eventually fill up the pump and the resultant repeated start-stop of the motor may heat up to such an extent, that the thermal overload switch may eventually operate and automatically stop the motor, thus possibly causing a flood.

10 CARE OF YOUR SANIBEST Pro[®] UNIT

In order to remove scale and clean the macerator and the bowl, use Saniflo's descaler.

- Disconnect the power,
- Pour an amount of descalant in the bowl
- Leave it to stand for 1 or 2 hours,
- Re-connect the power,
- Rinse by operating the flushing system twice.

Carry out the operation once every 3 months on average, but the frequency may need to be changed depending on the hardness of the water.

11 FAULT FINDING/REMEDIES

For the most part any inconsistencies in the operation of the unit will be minor and easily rectified. Please refer to the chart below. If the problem cannot be easily remedied in this way. Please call our technical support.



Warning - Always disconnect the electricity supply before attempting any work on the **SANIBEST Pro**[®]

SYMPTOM	PROBABLES CAUSES	REMEDIES
• The motor intermittently activates	• <i>The toilet tank or taps are dripping</i> • <i>The non-return valve is faulty</i>	• Check the appropriate washers / seals on the tank / taps etc • Clean or replace the non-return valve
• Motor is surging and water in the bowl goes down very slowly	• <i>Venting issue</i>	• Clean the air vent
• The motor operates normally, but continues to run for a long time	• <i>The length or height of the installation is over the specification, or there are too many bends/elbows</i> • <i>The unit is blocked</i>	• Check the installation • Call a service engineer to inspect the motor
• The motor does not activate	• <i>The electrical supply is not active</i> • <i>Problem with motor or electrical chamber</i>	• Restore the electrical supply • Call a service engineer to inspect the motor
• The motor hums, but does not run	• <i>The capacitor is or motor is defective</i>	• Call a service engineer to inspect the motor

13 REMOVAL



All work involving dismantling of the appliance must be carried out by an approved repair agent

Any replacement of the power supply cable should only be carried out by an authorized SANIFLO service engineer.

CHANGING THE CONDENSER, MINIATURE CIRCUIT BREAKER, MEMBRANE OR ELECTRONIC CARD.

If positioning allows, this intervention can be made without taking apart the large lid.

- (A) Unplug the machine
- (B) Unscrew the cover (2c). You will be able to access the condenser, miniature circuit and electronic card.
- (C) To change the membrane, disconnect the motor wires from the electronic card. Then remove the pressure gauge (quarter turn).

REMOVING THE UNIT

Disconnect the electricity supply

Turn off the water supply to the toilet tank. Bail out as much water from the tank as possible.

- (D) a) Remove the outlet elbow (21d)
- (E) b) Disconnect the motor wires from the electronic card. Remove the watertight microband (55).
- (F) c) Unclip and lift the cover and disconnect the linking sheath from the pressure gauge (54) and (55).
- d) Lift out the motor



The hood may be hot – do not touch!

WARNING: Do not activate the motor when 'dry'.
(otherwise support washers will be irreparably destroyed)

REMOVAL OF BLADES

- (G) Unscrew the 3 blade screws (12).
- (H) Repair or exchange the blade assembly (5).

RE-ASSEMBLY OF THE BLADES

- (I) Before re-assembly, ensure that the drive coupling (61c) is well pressed into the base of the pump (11).

NOTE: For easy replacement of the lid, lubricate the lid seal (2b) with liquid soap.

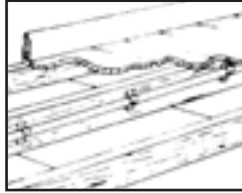


Do not reconnect the electrical power supply until the re-installation is complete.

14 ADVICE

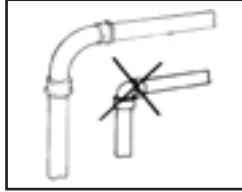
PIPE SUPPORTS

All sanitary pipe work must be supported, in accordance with the pipe manufacturer's recommendations. Avoid dipping or trapping, which may cause the build up of residual "solids" and subsequent blockage.



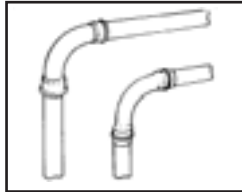
BENDS

Where possible long sweeping bends should be used. Do not use short elbows. If sweeping 90° elbows are not available use two 45° elbows to make a 90° turn.



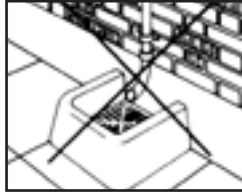
PIPE WORK

All pipe work should be either copper, PVC or CPVC (Do not use flexible pipes). Hangers should not be less than four feet apart to prevent pipe rattling.



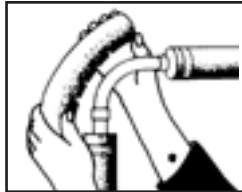
DISCHARGE

Never discharge directly into an open drain, fixture, manhole or rainwater drainpipe. It is illegal for it constitutes a health hazard. Direct connections into sanitary waste systems only, shall be acceptable.



FREEZING

Ensure all pipe work susceptible to freezing is adequately insulated or heated. In unheated buildings, the toilet, piping and grinding unit must be properly winterized with "RV or plumbers" anti-freeze or drained completely.



ELECTRICITY

Before attempting any maintenance or servicing, the unit must be disconnected from the power source. The grinding system must be connected to a Ground Fault Circuit Interrupter.

VERTICAL INSTALLATION FIRST

If vertical lift is required, this must precede the horizontal pipe run.

EASY ACCESS

The unit should be accessible and removable in the event of maintenance being required. During the installation a full-port ball valve should be installed at the base of any vertical discharge pipe work from the unit to allow easy service of the unit.

GRAVITY FALL

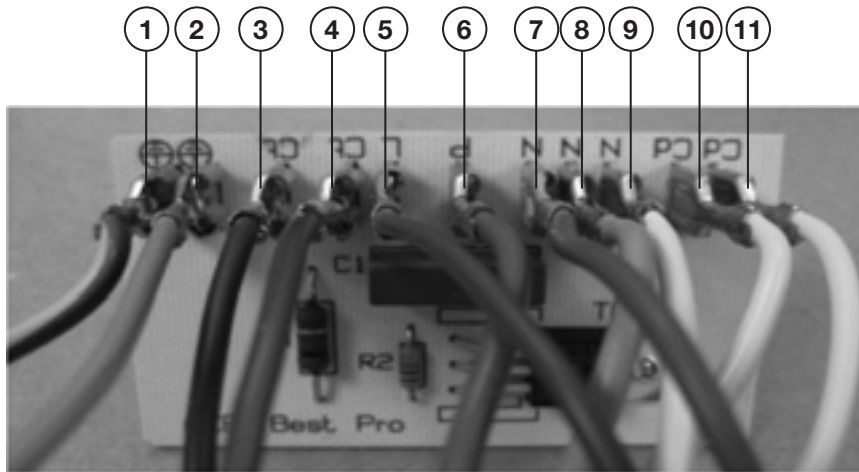
The unit accepts wastewater by gravity; it does not "vacuum" in water. All inlet pipe work must have a positive gravity fall, (1/4" per foot). All horizontal piping from the grinding unit must also have a positive gravity fall to allow free drainage when the pump stops.

NO DIAGONAL "UPHILL" PIPE RUNS

All discharge pipe work from the unit should run either directly vertical upwards from it or in a horizontal plane (with a small gravity flow) to the point of discharge. Pipe work should not be installed with diagonal upward slope from the unit to the point of discharge.



WIRING DIAGRAM / SCHEMA DE CABLAGE



n°	Description	Descriptif
1	Green/Yellow motor	Vert /Jaune moteur
2	Green/Yellow power cable	Vert / Jaune câble alimentation
3	Brown pressure gauge level	Marron pressostat niveau
4	Brown pressure gauge level	Marron pressostat niveau
5	Brown power cable	Marron câble alimentation
6	Brown motor	Marron moteur
7	Blue power cable	Bleu câble alimentation
8	Blue motor	Bleu moteur
9	White condenser	Blanc condensateur
10	White motor	Blanc moteur
11	White condenseur	Blanc condensateur

LIMITED WARRANTY

2 Year Warranty from Date of Purchase

Subject to the terms and conditions set out below, SFA-SANIFLO INC., (hereafter designated the as the Company) warrants that it will repair or replace the product or any of its component parts, at the Company's discretion if it deems that the product or part it is defective or does not meet the rated performance due to a manufacturing or material default.

If replacement is to be issued, this will only be extended to the first 180 days starting from the date of purchase. Warranty repairs will apply after such date up to the warranty's date of conclusion.

TERMS AND CONDITIONS

The conditions of this warranty are the following:

- The product must be installed in accordance with the use described in the enclosed manuals.
- The product must be connected to a single phase 120V, 60Hz electrical outlet and was not subject to any negligence, accident or exposure to harmful products or substances..
- The alleged defect or fault must be reported either to the installer or to the Company during the warranty coverage period.
- The warranty coverage period is valid for 2 years from date of purchase.

PART OR PRODUCT EXCHANGE

The product may be exchange without cost only at the sales outlet where it was purchased subject to the following conditions:

- The customer must have an "authorized return number" from the manufacturer in order to validate exchange.
- The customer must produce proof of purchase to validate exchange.

LIMITATIONS

- 1.Fill and flush mechanism are guaranteed as per OEM warranty only.
- 2.Vitreous china are guaranteed only for a factory defect.
- 3.Cost of disconnection and reconnection (i.e.labor charges) are not covered by the warranty and are the end-users responsibility.
- 4.Cost of mail or freight when a part or parts of the system have to be repaired at the company are not covered by this warranty.
- 5.In no event shall the company be liable for any special, incidental or consequential damage, loss, or injury of whatsoever nature or kind arising from or in connection with the product or any component thereof.
- 6.The guarantee is transferable only when the product remains at the same premises as where it was installed initially.

Except as set forth in this Limited Warranty, the company disclaims all other warranties, express or implied, with respect to the product or any component thereof including, but not limited to, all implied warranties for merchantability and fitness for a particular purpose.

For Service and other inquiries, please call either of the addresses listed below.

United States
SFA-SANIFLO INC.
105 Newfield Avenue, Suite A
Edison, NJ 08837

Canada
SFA-SANIFLO INC.
1-685 Speedvale Avenue West
Guelph ON
N1K 1E6

Customer toll free: 800-571-8191
Telephone: 732-225-6070
Telefax: 732-225-6072
Email: sfasales@saniflo.com
Web Site: www.saniflo.com

Customer toll free: 800-363-5874 English
Customer toll free: 800-877-8538 French
Telephone: 519-824-1134
Telefax: 519-824-1143
Email: sales@saniflo.com
Web Site: www.saniflo.ca

Les instructions d'installation illustrées, étape par étape, sont à télécharger sur le site : www.saniflo.ca/fr


1 DESCRIPTION

Cette pompe-broyeur est fabriquée dans une usine dont la qualité a été certifiée selon la norme ISO 9001 (2000) accréditée par l'Association française d'assurance qualité (AFAQ). Pour profiter des avantages de ce système de nouvelle génération, il importe de respecter les instructions d'installation.

L'unité de pompe-broyeur s'installe sur les appareils sanitaires des toilettes et des salles de bain dans les immeubles résidentiels et commerciaux. Comme illustré à la figure 1, cet appareil peut recevoir simultanément les eaux usées provenant de plusieurs installations sanitaires : lavabo, douche ou baignoire, à condition qu'il n'y ait qu'une seule toilette par unité. La puissance de l'appareil permet de traiter les effluents provenant d'une machine à laver au moyen d'un branchement indirect (un évier de service).

Le **SANIBEST Pro**® est conçu pour l'élimination des déchets humains, du papier toilette et de l'eau. Il accepte occasionnellement les articles sanitaires jetés dans les toilettes. Cette unité n'est pas prévue pour l'élimination des déchets de cuisine ni pour être branchée directement sur la pompe d'un lave-vaisselle. Correctement installé et utilisé, le **SANIBEST Pro**® fournit un service fiable et uniforme.

Il importe de tenir compte des informations correspondant aux symboles suivants :

«  » Éventuel danger pour la sécurité des personnes.

«  » Avertissement de danger électrique possible.

«  » Instructions exclusivement réservées aux professionnels qualifiés.

« **AVERTISSEMENT** » Indication générale alertant d'un non-respect des instructions qui risque de nuire au bon fonctionnement de l'appareil.

2 LISTE DES ACCESSOIRES

3 DIMENSIONS

4 FICHE TECHNIQUE

Installation sur une toilette + douche/baignoire et lavabo

Hauteur de refoulement vertical max.	25 pi
Tension	110-120 V
Fréquence	60 Hz
Intensité max.	9 A
Moteur	1 CV
Température maximale	104° F
Indice de protection	IP44
Poids net	26 lb

AVERTISSEMENT : Seules les installations conformes aux spécifications ci-dessus sont acceptables.

5 COURBE DE PERFORMANCE

6 COMBINAISONS POUR LE REFOULEMENT HORIZONTAL ET VERTICAL

7 INSTALLATION

Le système de broyage doit se décharger dans une conduite d'évacuation sanitaire d'un diamètre minimum de ¾ de po. Le système peut refouler jusqu'à une hauteur maximale de 7 m (25 pi) à la verticale, puis par gravité tout au long d'une conduite horizontale selon une pente minimale de ¼ de pouce

par pied jusqu'au point d'évacuation. Si l'installation comprend une remontée verticale, elle doit précéder toute conduite horizontale et commencer aussi près que possible du coude d'évacuation à une distance maximale de 18 po de celui-ci. Une fois le tuyau horizontal installé, il est impossible modifier sa direction pour le rediriger à la verticale vers le haut.

L'unité dispose de fixations à l'arrière du caisson, afin de fixer solidement la pompe au sol et de l'empêcher d'osciller.

RACCORDEMENT DU RÉSERVOIR ET DE L'ALIMENTATION EN EAU

À la livraison, le réservoir est doté d'une vanne de remplissage et de rinçage. L'unité est livrée avec la trousse d'accessoires pour installer ce réservoir à la cuvette des toilettes. S'assurer que les vis, écrous, etc. sont tous correctement serrés et fixés. Brancher le tuyau d'alimentation en eau à l'orifice inférieur de la vanne de remplissage.

7a RACCORDEMENT DE LA TOILETTE

- 1 - Enfiler le manchon souple sur le raccord d'entrée au caisson.
- 2 - Fixer ce raccordement à l'aide du collier de câble fourni.
- 3 - Appuyer sur le collier métallique autour du manchon souple et puis tirer le manchon sur la sortie mâle de la cuvette.
- 4 - Positionner le collier métallique sur l'extrémité du manchon souple et le fixer solidement en serrant le collier avec un tournevis.

7b RACCORDEMENT DU TUYAU D'ÉVACUATION

Le système est fourni avec un coude de refoulement doté d'un clapet anti-retour, un tuyau de refoulement souple, un accouplement en plastique et un raccord de réduction en caoutchouc. Le branchement du tuyau d'évacuation s'effectue selon les étapes suivantes :

- 1 - Insérer la grande extrémité du coude de refoulement en plastique dans le tuyau d'évacuation en caoutchouc qui se situe dans la partie supérieure de la pompe.
- 2 - Faire tourner le coude de refoulement dans n'importe quel sens et sécuriser la base du coude avec un collier.
- 3 - Raccorder le tuyau flexible à la petite extrémité du coude de refoulement et le fixer avec un collier.

Pour un tuyau en PVC-C de ¾ po (22 mm)

- 4 - Insérer le tuyau d'évacuation à l'intérieur du tuyau flexible et le fixer avec un collier.

Pour un tuyau en PVC de ¾ po (28 mm)

- 4 - Insérer la petite extrémité de l'accouplement en plastique à l'intérieur du tuyau flexible et le fixer avec un collier.
- 5 - Brancher le raccord de réduction en caoutchouc sur l'autre extrémité de l'accouplement en plastique à l'aide d'un collier.
- 6 - Insérer le tuyau d'évacuation à l'intérieur du raccord de réduction en caoutchouc et le fixer avec un collier.

Pour les tuyaux de 1 po en PVC (32 mm)

- 4 - Insérer la petite extrémité de l'accouplement en plastique à l'intérieur du tuyau flexible et le fixer avec un collier.
- 5 - Brancher le raccord de réduction en caoutchouc sur l'autre extrémité de l'accouplement en plastique à l'aide d'un collier.
- 6 - Couper le bout du raccord de réduction en caoutchouc pour l'adapter au tuyau de 1 po et le fixer avec un collier.

REMARQUE : Pour l'évacuation, n'utiliser que des tuyaux de ¾ po ou de 1 po.

Installer un robinet à tournant sphérique sur la conduite d'évacuation afin de faciliter l'enlèvement de l'appareil.

Pour les appareils destinés à réaliser un refoulement vertical et horizontal, il faut calculer que 3 pi de remontée verticale équivaut à 10 mètres 30 pi à l'horizontale. Toutes les conduites horizontales nécessitent une pente de ¼ de po par pied linéaire pour l'évacuation par gravité.

Chaque coude ou changement de direction provoque des pertes mineures qui doivent être déduites de la performance d'évacuation. Autrement dit, il faut réduire la hauteur de refoulement de 3 pi pour chaque coude de 90 degrés. Utiliser des raccords de 90 degrés à grand rayon ou deux coudes de 45 degrés bout à bout pour réaliser un virage à 90 degrés. **Ne pas utiliser de coude à 90 degrés.**

Le branchement à la colonne de chute ou au tuyau d'égout doit se faire avec un raccord en Y approuvé. En cas de doute au sujet de cette section de l'installation, faire appel à un plombier ou à un professionnel spécialisé pour réaliser cette installation.

REMARQUE : Si l'extrémité du tuyau d'évacuation se situe beaucoup plus bas que l'appareil (> 8 pi), cela risque d'occasionner un siphonage. Pour éviter une aspiration de la garde d'eau dans la conduite d'évacuation, on doit installer un clapet anti-siphon au point le plus élevé de l'installation.

7c RACCORDEMENT DES APPAREILS SANITAIRES

L'unité est équipée de deux autres entrées de 2 po situées de chaque côté du caisson. Ces entrées, dotées d'un clapet anti-retour interne, servent au branchement du tuyau d'évacuation des autres appareils sanitaires.

- 1 - Pour brancher ces entrées latérales, utiliser le connecteur en caoutchouc **F** ou **G** et le fixer avec des colliers métalliques.
- 2 - Si ces entrées ne sont pas utilisées, boucher l'entrée inutilisée avec l'embout **G** fourni après avoir graissé le joint.

AVERTISSEMENT : Lors du raccordement d'une douche ou d'une baignoire à l'unité **SANIBEST Pro**[®], la plateforme de la douche ou de la baignoire doit se trouver à une hauteur minimale de 8 po au-dessus du sol. Il est possible d'acheter n'importe quelle base pour la douche ou la baignoire, puisque seule la conduite d'évacuation est raccordée à la pompe. Toutefois, une plate-forme de 2 x 8 po devrait être construite afin de pouvoir installer un siphon en P et de ménager une pente vers les entrées latérales.

REMARQUE : La distance réelle entre le siphon en P de l'appareil sanitaire et le système de broyage détermine le dégagement nécessaire pour installer ce siphon et la hauteur requise pour assurer l'écoulement par gravité avec une pente minimale de 1/4 de po par pied.

7d RACCORDEMENT D'UN SYSTÈME DE VENTILATION

L'unité de pompe-broyeur doit être ventilée, pour ce faire, elle dispose de deux entrées au sommet du couvercle du caisson : une entrée de 1 1/2 po et un orifice d'un diamètre inférieur.

L'unité doit être raccordée à un système de ventilation conformément aux codes de plomberie en vigueur. Placer l'entrée des déchets **D** (fournie) sur l'entrée de 1 1/2 po et la fixer avec un collier. Raccorder ensuite le tuyau de ventilation et le fixer avec un collier. Il importe que tous les appareils raccordés au système soient ventilés.

AVERTISSEMENT : **Ne pas utiliser un clapet d'admission d'air ou un dispositif de ventilation mécanique à ressort, car ces dispositifs sont considérés comme des ventilations unidirectionnelles. La pression de l'air doit être équivalente à l'intérieur comme à l'extérieur du broyeur. Une évacuation inadéquate fera obstacle au flux d'air dans un sens.**

REMARQUE : Le plus petit des orifices, celui de 1/2 po doit être fermé à l'aide de l'embout en plastique fourni.

7e EXEMPLE D'INSTALLATION SANIBEST Pro[®]

7f BRANCHEMENT À L'ALIMENTATION ÉLECTRIQUE

Tout le câblage électrique doit être conforme au code électrique en vigueur dans la zone. Le système de broyeur exige une alimentation de 120 V, d'une intensité de 15 A. Lorsqu'il est installé dans une salle de bain, le caisson doit se trouver à une distance d'au moins 40 po en ligne droite de la douche ou de la baignoire. Brancher uniquement l'unité sur une prise protégée par un disjoncteur de fuite de terre.

AVERTISSEMENT : Risque de commotion électrique — cette pompe est fournie avec un conducteur de terre et une prise de terre pour réduire le risque de commotion électrique. S'assurer que l'unité est correctement connectée à la terre.

8 ACTIVATION DE L'UNITÉ

Une fois les branchements électriques et de plomberie réalisés, tirer la chasse d'eau une fois. Le moteur doit tourner durant 5 à 10 secondes pour éliminer les déchets (en fonction de la longueur et de la hauteur de la tuyauterie). Si l'unité fonctionne plus de 30 secondes, vérifier que le tuyau d'évacuation n'est pas plié ni obstrué ou vérifier que le clapet anti-retour est correctement installé. Tirer la chasse d'eau en vérifiant que tous les joints et les raccords sont étanches. Vérifier à la fois la conduite de refoulement de l'unité et les tuyaux d'évacuation du lavabo ou de la douche.

AVERTISSEMENT : Il ne devrait y avoir aucun écoulement d'eau dans le réservoir des toilettes ou à partir des robinets. Un écoulement risque en effet de provoquer l'activation répétée de l'unité pour pomper l'eau.

9 UTILISATION

Les unités de SFA doivent uniquement servir à l'élimination des déchets d'origine humaine, du papier hygiénique et de l'eau. Le **SANIBEST Pro**[®] est un produit conçu pour une utilisation plus lourde, convenable pour les applications résidentielles ou commerciales et peut parfois accepter l'élimination des articles sanitaires tels que les tampons et serviettes hygiéniques.

MISE EN GARDE : **N'éliminer aucun acide, alcaloïde, solvant de peinture, décapant, déchet alimentaire, sac en plastique, objet métallique (clou, épingle à cheveux), morceau de bois, matériel de construction, litière pour chats ni tout ce qui risque de freiner ou d'endommager le fonctionnement de l'appareil ou de provoquer sa corrosion. À défaut de respecter la recommandation qui précède, on risque d'endommager l'unité et d'annuler ainsi la garantie.**

Ne suspendre aucun bloc javellisant ni produit de nettoyage au chlorhydrate dans le réservoir de la toilette. Il a été démontré que ces solutions détériorent les éléments en plastique et en néoprène constituant la chasse d'eau et les robinets d'alimentation et risquent de provoquer des fuites. En cas de coupure d'électricité, ne pas utiliser les toilettes ou tout autre appareil sanitaire raccordé à l'unité, car celle-ci ne fonctionnera pas jusqu'à ce que le courant soit rétabli.

La toilette fonctionne comme une toilette traditionnelle à chasse d'eau et ne nécessite aucun entretien lors d'une utilisation normale. Toutefois, il n'est pas mauvais de nettoyer l'unité une fois par an. Ne pas utiliser d'eau de Javel et éviter de laisser l'eau pénétrer par l'ouverture du cordon électrique.

L'unité démarre automatiquement une fois que la chasse d'eau de la toilette est activée ou qu'on vide la baignoire, la douche ou le lavabo, et elle s'arrête après avoir pompé les effluents.

Lorsqu'on prévoit de ne pas utiliser l'unité durant une longue période (vacances, panne de courant, entretien, etc.), couper l'alimentation en eau dans le réservoir et rincer l'appareil pour évacuer l'eau. On ne doit laisser aucun écoulement provenant du réservoir dans la cuvette des toilettes.

Dans les zones sujettes au gel, l'ensemble du système doit être correctement préparé pour l'hiver, ce qui comprend la vidange de tous les tuyaux, du réservoir et de la cuvette de la toilette et de la cuve de l'unité. Cette opération est simple. Il suffit de verser un flacon d'antigel dans le réservoir et de tirer la chasse d'eau. L'unité démarre immédiatement et toute l'eau qui reste dans le système est remplacée par l'antigel de plomberie. En cas d'avarie provoquée par le gel, les pièces et la main-d'œuvre ne sont pas couvertes par la garantie.

S'assurer qu'aucun robinet n'est ouvert. Le goutte-à-goutte risque de remplir la pompe avec pour résultat une série de démarrages et d'arrêts du moteur qui risque de chauffer à

un point tel, que le disjoncteur de surcharge thermique peut éventuellement se déclencher et arrêter automatiquement le moteur, en provoquant ainsi une inondation.

10 ENTRETIEN DE L'UNITÉ SANIBEST Pro®

Pour enlever le tartre et nettoyer le broyeur et la cuvette, utiliser le détartrant Saniflo.

- Débrancher l'alimentation.
- Verser une quantité de détartrant dans la cuvette.
- Laisser reposer pendant une ou deux heures.
- Rebrancher l'alimentation.
- Rincer en actionnant la chasse d'eau à deux reprises.

Répéter l'opération environ une fois par trimestre. Toutefois, en fonction de la dureté de l'eau, il faut parfois modifier la fréquence de l'entretien.

11 DÉTECTION DES PANNES ET RÉPARATIONS

La plupart du temps, les anomalies de fonctionnement de l'unité sont mineures et faciles à réparer. Prière de se reporter au tableau ci-dessous. Si la défectuosité ne se résout pas facilement de cette façon, faire appel au soutien technique.



Avertissement : Avant toute intervention sur le Sanibest Pro®, débrancher impérativement l'alimentation électrique.

ANOMALIES	CAUSES POSSIBLES	RÉPARATIONS
<ul style="list-style-type: none"> • Le moteur démarre par intermittence 	<ul style="list-style-type: none"> • <i>Le réservoir de la toilette ou les robinets fuient</i> • <i>Le clapet anti-retour est défectueux</i> 	<ul style="list-style-type: none"> • Vérifier les rondelles et joints d'étanchéité sur le réservoir, les robinets, etc. • Nettoyer ou remplacer le clapet anti-retour
<ul style="list-style-type: none"> • Le moteur démarre, mais l'eau de la cuvette se vide très lentement 	<ul style="list-style-type: none"> • <i>Problème de ventilation</i> 	<ul style="list-style-type: none"> • Nettoyer la prise d'aération
<ul style="list-style-type: none"> • Le moteur fonctionne normalement, mais continue à tourner pendant longtemps 	<ul style="list-style-type: none"> • <i>La longueur ou la hauteur de l'installation dépassent les spécifications, ou les coudes et les raccords sont trop nombreux</i> • <i>L'unité est bloquée</i> 	<ul style="list-style-type: none"> • Vérifier l'installation • Demander à un technicien d'entretien d'inspecter le moteur
<ul style="list-style-type: none"> • Le moteur ne démarre pas 	<ul style="list-style-type: none"> • <i>L'alimentation électrique est coupée</i> • <i>Le moteur ou l'installation électrique sont en panne</i> 	<ul style="list-style-type: none"> • Rétablir l'alimentation électrique • Demander à un technicien d'entretien d'inspecter le moteur
<ul style="list-style-type: none"> • Le moteur ronronne, mais sans fonctionner 	<ul style="list-style-type: none"> • <i>Le condensateur (38) ou le moteur sont défectueux</i> 	<ul style="list-style-type: none"> • Demander à un technicien d'entretien d'inspecter le moteur

13 ENLÈVEMENT



Tous les travaux qui concernent le démantèlement de l'appareil doivent être exécutés par un agent agréé.

Le remplacement du câble d'alimentation doit être obligatoirement réalisé par un technicien d'entretien autorisé de SANIFLO.

CHANGEMENT DU CONDENSEUR, DU DISJONCTEUR MINIATURE, DE LA MEMBRANE ET DE LA CARTE À MICROCIRCUIT.

Si le positionnement de l'unité le permet, cette intervention peut se réaliser sans avoir à démonter le grand couvercle.

- (A) Débrancher l'appareil.
- (B) Dévisser le panneau (2c). Il est alors possible d'accéder au condenseur, au circuit miniature et à la carte électronique.
- (C) Pour changer la membrane, débrancher les fils du moteur de la carte électronique. Retirer ensuite la jauge de pression (un quart de tour).

ENLÈVEMENT DE L'UNITÉ

Débranchement de l'alimentation électrique

Fermer l'alimentation en eau sur le réservoir de la toilette. Enlever autant d'eau que possible du réservoir.

- (D) a) Retirer le coude de sortie (21d)
- (E) b) Débrancher les fils du moteur de la carte électronique. Retirer la microbande étanche à l'eau (55).
- (F) c) Libérer et soulever le couvercle, puis débrancher la gaine de liaison à partir de la jauge de pression (54) and (55).
- d) Retirer le moteur.



Le couvercle risque d'être chaud, ne pas y toucher!

AVERTISSEMENT : Ne pas démarrer le moteur « à sec », (au risque de détruire irrémédiablement les rondelles de fixation).

ENLÈVEMENT DES LAMES

- (G) Dévisser les trois vis de lame (12).
- (H) Réparer ou changer l'ensemble de lames (5).

REMONTAGE DES LAMES

- (I) Avant le remontage, veiller à ce que l'accouplement d'entraînement (61c) soit bien enfoncé à la base de la pompe (11).

NOTE: Pour faciliter le remplacement du couvercle, lubrifier le joint du couvercle (2b) au savon liquide.



Ne pas rebrancher l'alimentation électrique avant d'avoir terminé le remontage.

14 CONSEILS

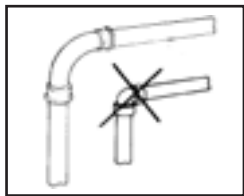
ANCRAGE DES TUYAUX

Tous les tuyaux des installations sanitaires doivent être ancrés conformément aux recommandations du fabricant pour les empêcher de pendre, car ils pourraient alors être bloqués par une accumulation de "matières solides".



COURBES

Dans la mesure du possible, utilisez des courbes de tuyau plutôt que des coudes. Si des coudes de 90° ne sont pas disponibles, utilisez deux coudes de 45° pour former une courbe de 90°.



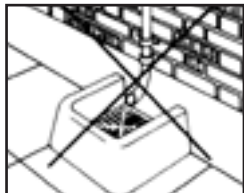
TUYAUTERIE

Tous les tuyaux doivent être en cuivre ou en plastique soudé au solvant. Il ne faut pas utiliser de tuyaux flexibles. Les pendants doivent être espacés d'au moins quatre pieds pour empêcher les tuyaux de cogner.



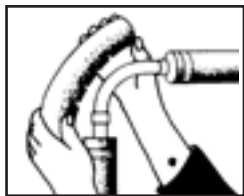
VIDANGE

Ne jamais évacuer les eaux usées directement dans un égout à ciel ouvert, un trou d'homme ou un drain pour les eaux de pluie. Cela est illégal et constitue un danger pour la santé. Seuls les branchements directs dans les systèmes de déchets sanitaires sont acceptables.



GEL

Assurez-vous que tout tuyau susceptible de geler est bien isolé ou chauffé. Dans les immeubles non chauffés, la toilette, la tuyauterie et l'ensemble broyeur-pompe doivent être protégés contre le gel avec de l'antigel de « véhicule de plaisance » ou vidés complètement.



ÉLECTRICITÉ

Avant d'entreprendre des travaux d'entretien ou de dépannage, il faut débrancher l'appareil de la source d'alimentation en électricité. Le système de broyage doit être protégé par un coupe-circuit en cas de défaut de mise à la terre du neutre.

LA TUYAUTERIE VERTICALE D'ABORD

Lorsqu'on installe des tuyaux à la verticale, il faut les poser avant de poser les tuyaux horizontaux.

ACCÈS FACILE

Il faut avoir accès à l'ensemble broyeur-pompe et pouvoir le déposer en cas de réparation. Au moment de l'installation, il faut poser une purge et une vanne d'arrêt à passage intégral à la base de tout tuyau d'évacuation vertical, pour permettre de réparer facilement l'appareil.

DESCENTE PAR GRAVITÉ

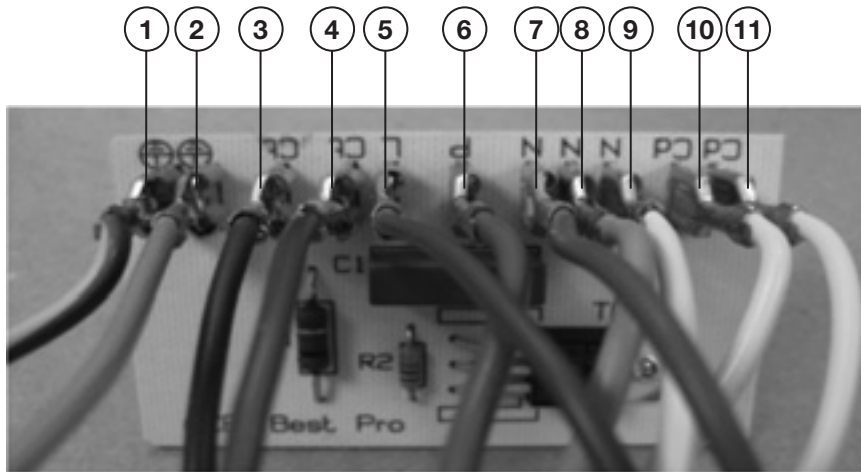
Les eaux usées se déversent dans l'ensemble broyeur-pompe par gravité. Elles ne sont pas aspirées. Tous les tuyaux d'arrivée doivent assurer l'écoulement absolu par gravité (1/4 po par pied). Les tuyaux d'évacuation horizontaux sortant de l'ensemble broyeur-pompe doivent aussi assurer l'écoulement absolu par gravité, pour que le drainage se fasse librement lorsque la pompe s'arrête.

PAS DE TUYAUX EN DIAGONALE

Tous les tuyaux de vidange sortant de l'appareil doivent soit monter directement à la verticale, soit être en position horizontale (avec un léger écoulement par gravité) jusqu'au point d'évacuation. Il ne faut pas installer de tuyaux en diagonale entre l'appareil et le point d'évacuation.



WIRING DIAGRAM / SCHEMA DE CABLAGE



n°	Description	Descriptif
1	Green/Yellow motor	Vert /Jaune moteur
2	Green/Yellow power cable	Vert / Jaune câble alimentation
3	Brown pressure gauge level	Marron pressostatat niveau
4	Brown pressure gauge level	Marron pressostatat niveau
5	Brown power cable	Marron câble alimentation
6	Brown motor	Marron moteur
7	Blue power cable	Bleu câble alimentation
8	Blue motor	Bleu moteur
9	White condenser	Blanc condensateur
10	White motor	Blanc moteur
11	White condenseur	Blanc condensateur

GARANTIE LIMITÉE

Garantie de deux ans à partir de la date d'achat

Sous réserve du respect des conditions énoncées ci-dessous, SFA-SANIFLO INC. (ci-dessous appelée "la Compagnie") garantit qu'elle réparera ou remplacera, à son gré, le produit ou l'une quelconque de ses pièces, qui de l'avis de la Compagnie, se trouve défectueux ou ne répond pas à la performance demandée du fait d'un défaut de fabrication ou de matériau.

Si un remplacement doit être effectué, cela sera prolongé de 180 jours à compter de la date d'achat. La garantie des réparations s'appliquera après cette date jusqu'à la fin de la garantie.

CONDITIONS

Les conditions de la garantie sont :

1. Le produit ne doit pas avoir subi de mauvais traitement, de négligence, d'accident ou d'exposition à des produits nocifs, conformément au paragraphe intitulé «UTILISATION»;
2. Le produit doit avoir été branché à une prise de courant comme celle indiquée dans le manuel d'installation ;
3. Le présumé défaut ou la présumée défaillance doit être signalé (e), sinon à l'installateur, du moins à la Compagnie, durant la période de garantie en vigueur.

ÉCHANGE DE PIÈCE OU DE PRODUIT

Le produit sera échangé sans frais, à l'établissement de détail où il a été acheté seulement, sous réserve du respect des conditions suivantes :

- Le client devra être en possession d'un numéro «d'autorisation de retour» de la Compagnie afin d'autoriser et de valider l'échange ;
- Le client doit fournir une copie de sa facture pour valider la demande d'échange.

RESTRICTIONS

1. La garantie ne couvre pas les frais de branchement et rebranchement de l'installation (c.-à-d. les frais de main-d'œuvre) qui sont à la charge du client ;
2. La garantie ne couvre pas les frais d'expédition ou de transport quand une pièce ou des pièces de l'appareil doit(vent) être réparé(e)s à l'usine ;
3. En aucun cas la Compagnie ne sera tenue responsable des dommages accessoires ou indirects, pertes ou blessures, de quelle que nature que ce soit, résultant de l'utilisation du produit, ou de l'un de ses composants ;
4. La garantie est transférable seulement si l'appareil demeure à l'endroit où il fut installé initialement.

Sauf pour ce qui est des termes de cette garantie limitée, la Compagnie n'accepte aucune autre garantie, implicite ou explicite, ayant trait au produit ou à tout composant y afférent, incluant sans toutefois s'y limiter, toute autre garantie implicite quant à la valeur marchande ou l'adaptabilité de ce produit à une fin particulière.

Pour le service et d'autres demandes de renseignements, veuillez appeler à l'une des adresses indiquées ci-dessous.

États-Unis

SFA-SANIFLO INC.
105 Newfield Avenue, Suite A
Edison, NJ 08837

Canada

SFA-SANIFLO INC.
1-685 Speedvale Avenue West
Guelph ON
N1K 1E6

Numéro sans frais : 800-571-8191
Téléphone : 732-225-6070
Télécopie : 732-225-6072
C.élec. : sfasales@saniflo.com
Site Web : www.saniflo.com

Numéro sans frais : 800-363-5874 Anglais
Numéro sans frais : 800-877-8538 Français
Téléphone : 519-824-1134
Télécopie : 519-824-1143
C.élec. : sales@saniflo.com
Site Web : <http://www.saniflo.ca/fr>

SANIBEST Pro®

